

MOUNTING FRAME SET SHIPPED LOOSE. ONE SET FOR EACH SIDE OF WALL PROVIDED.

DOUBLE WALL CONSTRUCTION

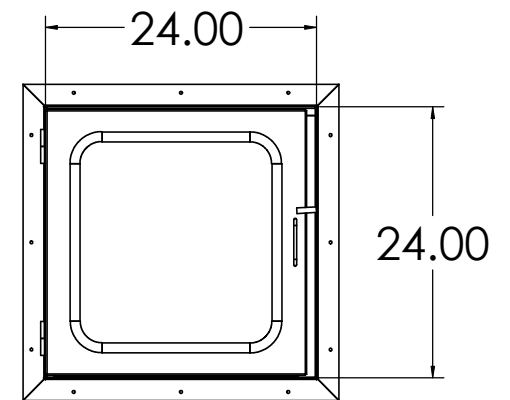
STAINLESS STEEL LIFT OFF HINGES

DOOR WITH 1/4" SAFETY GLASS VIEWING WINDOW

STAINLESS STEEL PULLS

16 GA COLD ROLLED STEEL HOUSING FINISHED WITH WHITE POWDER BAKED ENAMEL.

MANUAL INTERLOCK



INSIDE DIMENSIONS 20.12"wX 21.19h"X 24"d

OUTSIDE DIMENSIONS: 24"X 24"X 24"  
(NOT INCLUDING DOORS)

Copyright 2009 Technical Air Products, Inc. Any unauthorized use without written permission from owner is prohibited.

REV.	DATE	BY	DESCRIPTION
			<b>technical air products, inc</b> belmont, michigan usa 800-595-0020
DATE	3/12/2013		PASS THRU - POWDER COATED
BY	AOK		