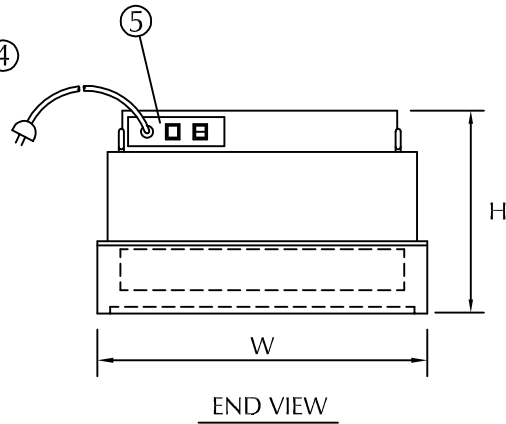
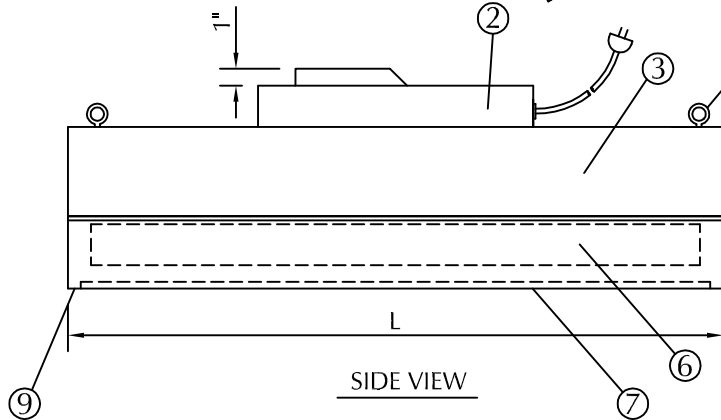


- ① Prefilter
- ② Prefilter frame
- ③ Supply Plenum
- ④ Eyebolts for hanging
- ⑤ Controls
- ⑥ Final Filter (roomside replaceable)
- ⑦ Face Grille
- ⑧ Aerosol Disp. Tube
- ⑨ Static Pressure Port

Optional inlet collar adapter



| MODEL | UNIT SIZE | DIM 'W' | DIM 'L' | DIM 'H' STD | DIM 'H' ECM | DIM 'H' LOW WATT |
|---------|-----------|---------|---------|-------------|-------------|------------------|
| 222-SPX | 2' x 2' | 23.62" | 23.62" | 15" | 17" | 17" |
| 322-SPX | 2' x 3' | | 35.62" | | | |
| 422-SPX | 2' x 4' | | 47.62" | | | |

SPECIFICATIONS RSR SPX

| | | | | | | | | | | | | | | | | | | | | | | | | | |
|---|---|----------|-----------------------------------|-----|-----------------------------------|-----|-----------------------------------|-----|-----|--|-----|-----------------------------------|-----|----------|-----------------------------------|-----|-----------------------------------|-----|----------|-----------------------------------|------|-----------------------------------|-----|---|--|
| <p>Housing:</p> <ul style="list-style-type: none"> <input checked="" type="checkbox"/> Powder coated 20ga steel <input type="checkbox"/> Stainless Steel, 304 or 316 <input type="checkbox"/> Aluminum <hr/> <p>Filters:</p> <ul style="list-style-type: none"> <input checked="" type="checkbox"/> 99.99% HEPA <input type="checkbox"/> 99.9995% ULPA <input type="checkbox"/> PTFE <hr/> <p>Filter Seal</p> <ul style="list-style-type: none"> <input type="checkbox"/> Closed cell gasket <input checked="" type="checkbox"/> Urethane Gel <input type="checkbox"/> Silicone Gel <hr/> <p>Controls:</p> <ul style="list-style-type: none"> <input type="checkbox"/> 3-Speed switch with separate on/off <input checked="" type="checkbox"/> Power cord - 8' with plug end <input type="checkbox"/> None (motor leads wired to j-box) <input checked="" type="checkbox"/> Variable Speed Control | <p>Motor:</p> <table border="0"> <tr> <td rowspan="3">PSC TYPE</td> <td><input type="checkbox"/> 120/1/60</td> <td>4.7</td> </tr> <tr> <td><input type="checkbox"/> 220/1/60</td> <td>2.4</td> </tr> <tr> <td><input type="checkbox"/> 277/1/60</td> <td>1.8</td> </tr> <tr> <td rowspan="2">ECM</td> <td><input checked="" type="checkbox"/> 120/1/60</td> <td>4.2</td> </tr> <tr> <td><input type="checkbox"/> 220/1/60</td> <td>2.1</td> </tr> <tr> <td rowspan="2">High RPM</td> <td><input type="checkbox"/> 120/1/60</td> <td>7.4</td> </tr> <tr> <td><input type="checkbox"/> 220/1/60</td> <td>3.7</td> </tr> <tr> <td rowspan="2">Low Watt</td> <td><input type="checkbox"/> 120/1/60</td> <td>1.42</td> </tr> <tr> <td><input type="checkbox"/> 220/1/60</td> <td>0.7</td> </tr> </table> <p><input type="checkbox"/> Aerosol Dispersion Tube</p> <p><input checked="" type="checkbox"/> Static pressure port</p> <p><input type="checkbox"/> Indicator Light</p> <p><input type="checkbox"/> Sheet Rock Adapter</p> | PSC TYPE | <input type="checkbox"/> 120/1/60 | 4.7 | <input type="checkbox"/> 220/1/60 | 2.4 | <input type="checkbox"/> 277/1/60 | 1.8 | ECM | <input checked="" type="checkbox"/> 120/1/60 | 4.2 | <input type="checkbox"/> 220/1/60 | 2.1 | High RPM | <input type="checkbox"/> 120/1/60 | 7.4 | <input type="checkbox"/> 220/1/60 | 3.7 | Low Watt | <input type="checkbox"/> 120/1/60 | 1.42 | <input type="checkbox"/> 220/1/60 | 0.7 | <p>VOLTAGE</p> <p>FLA</p> | <p>Inlet Options</p> <p>30% eff ASHRAE prefilter</p> <ul style="list-style-type: none"> <input checked="" type="checkbox"/> 1" thick <input type="checkbox"/> 2" thick <input type="checkbox"/> 4" thick <p>Carbon filter</p> <ul style="list-style-type: none"> <input type="checkbox"/> 1" thick <p>Inlet collar adapter</p> <ul style="list-style-type: none"> <input type="checkbox"/> 10" diameter <input type="checkbox"/> 12" diameter <input type="checkbox"/> 14" diameter <p>Face Grille</p> <ul style="list-style-type: none"> <input checked="" type="checkbox"/> Polystyrene eggcrate <input type="checkbox"/> Perforated steel, powder coated <input type="checkbox"/> Perforated stainless steel 304 or 316 |
| PSC TYPE | <input type="checkbox"/> 120/1/60 | | 4.7 | | | | | | | | | | | | | | | | | | | | | | |
| | <input type="checkbox"/> 220/1/60 | | 2.4 | | | | | | | | | | | | | | | | | | | | | | |
| | <input type="checkbox"/> 277/1/60 | 1.8 | | | | | | | | | | | | | | | | | | | | | | | |
| ECM | <input checked="" type="checkbox"/> 120/1/60 | 4.2 | | | | | | | | | | | | | | | | | | | | | | | |
| | <input type="checkbox"/> 220/1/60 | 2.1 | | | | | | | | | | | | | | | | | | | | | | | |
| High RPM | <input type="checkbox"/> 120/1/60 | 7.4 | | | | | | | | | | | | | | | | | | | | | | | |
| | <input type="checkbox"/> 220/1/60 | 3.7 | | | | | | | | | | | | | | | | | | | | | | | |
| Low Watt | <input type="checkbox"/> 120/1/60 | 1.42 | | | | | | | | | | | | | | | | | | | | | | | |
| | <input type="checkbox"/> 220/1/60 | 0.7 | | | | | | | | | | | | | | | | | | | | | | | |

© 2014 Technical Air Products, Inc. Unauthorized use is prohibited without express written permission from owner.



TECHNICAL AIR PRODUCTS

Designers and Builders of High Efficiency Air Filtration Equipment

8069 Belmont Avenue
Belmont, MI 49306
616 - 863 - 9115
800 - 595 - 0020
Fax 616 - 863 - 9127

324-A